

TGS 831 - for the detection of Chlorofluorocarbons (CFC's)

Features:

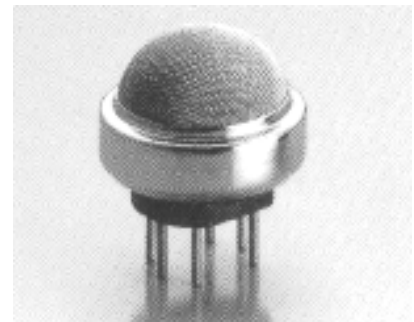
- * High sensitivity to R-21 and R-22
- * Low dependency on temperature and humidity
- * Quick response
- * Uses simple electrical circuit
- * Ceramic base resistant to severe environment

Applications:

- * Refrigerant leak detector

The sensing element of Figaro gas sensors is a tin dioxide (SnO_2) semiconductor which has low conductivity in clean air. In the presence of a detectable gas, the sensor's conductivity increases depending on the gas concentration in the air. A simple electrical circuit can convert the change in conductivity to an output signal which corresponds to the gas concentration.

The **TGS 831** has high sensitivity to R-21 and R-22. Due to its low dependence on temperature and humidity, the sensor has good reproducibility in measurement and excellent stability. Combined with its long life, this makes TGS 831 an excellent, low-cost sensor for CFC detection.



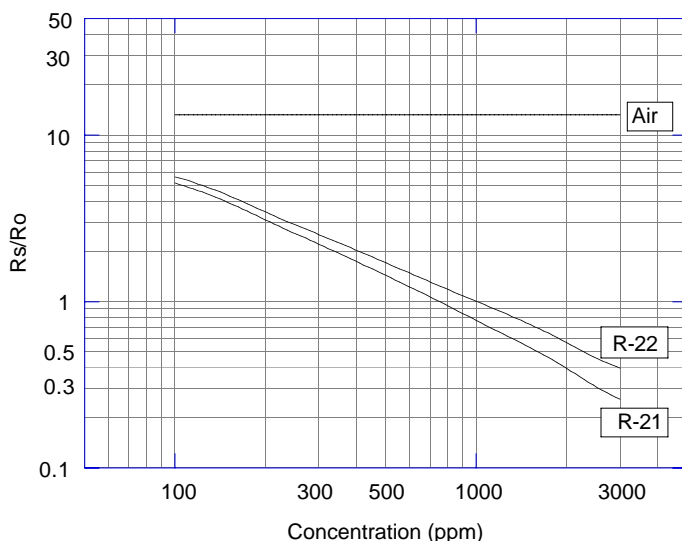
The figure below represents typical sensitivity characteristics, all data having been gathered at standard test conditions (see reverse side of this sheet). The Y-axis is indicated as *sensor resistance ratio* (R_s/R_o) which is defined as follows:

- R_s = Sensor resistance of displayed gases at various concentrations
- R_o = Sensor resistance at 1000ppm of R-22

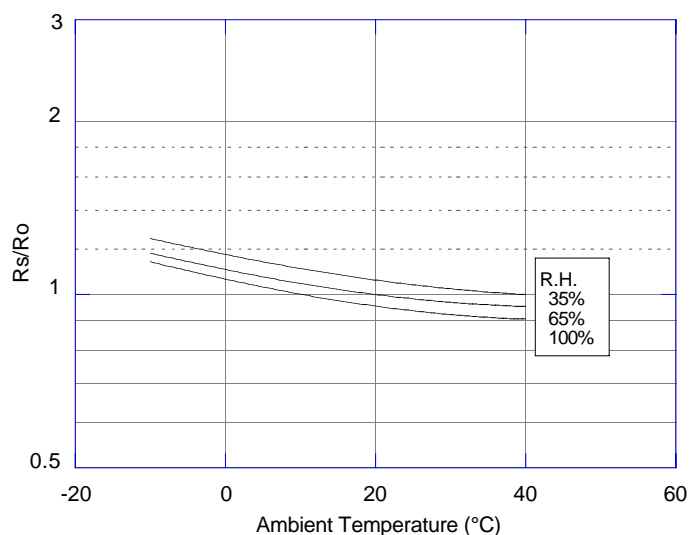
The figure below represents typical temperature and humidity dependency characteristics. Again, the Y-axis is indicated as *sensor resistance ratio* (R_s/R_o), defined as follows:

- R_s = Sensor resistance at 1000ppm of R-22 at various temperatures/humidities
- R_o = Sensor resistance at 1000ppm of R-22 at 20°C and 65% R.H.

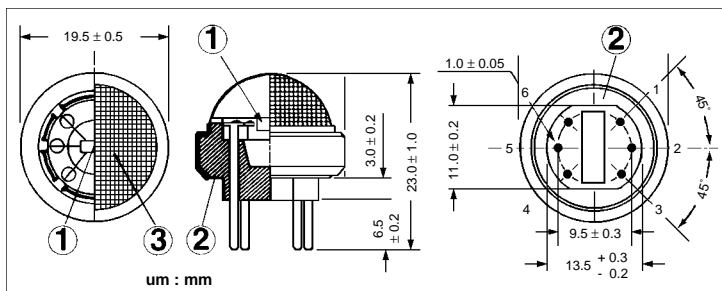
Sensitivity Characteristics:



Temperature/Humidity Dependency:



Structure and Dimensions:



- ① Sensing Element:
SnO₂ is sintered to form a thick film on the surface of an alumina ceramic tube which contains an internal heater.
- ② Sensor Base:
Alumina ceramic
- ③ Flame Arrestor:
100 mesh SUS316 double gauze

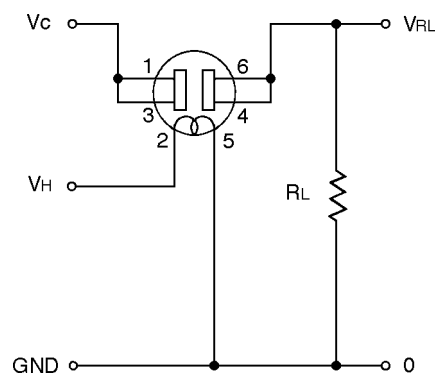
Pin Connection and Basic Measuring Circuit:

The numbers shown around the sensor symbol in the circuit diagram at the right correspond with the pin numbers shown in the sensor's structure drawing (*above*). When the sensor is connected as shown in the basic circuit, output across the Load Resistor (V_{RL}) increases as the sensor's resistance (R_s) decreases, depending on gas concentration.

Standard Circuit Conditions:

Item	Symbol	Rated Values	Remarks
Heater Voltage	V _H	5.0±0.2V	AC or DC
Circuit Voltage	V _c	Max. 24V	DC only P _s ≤15mW
Load Resistance	R _L	Variable	0.45kΩ min.

Basic Measuring Circuit:



Electrical Characteristics:

Item	Symbol	Condition	Specification
Sensor Resistance	R _s	R-22 at 1000ppm/air	1kΩ ~ 10kΩ
Change Ratio of Sensor Resistance	R _s /R _o	$\frac{R_s(R-22 \text{ at } 1000\text{ppm/air})}{R_s(R-22 \text{ at } 300\text{ppm/air})}$	0.40 ± 0.15
Heater Resistance	R _H	Room temperature	30.0 ± 3.0Ω
Heater Power Consumption	P _H	V _H =5.0V	835mW (typical)

Standard Test Conditions:

TGS 831 complies with the above electrical characteristics when the sensor is tested in standard conditions as specified below:

- Test Gas Conditions: 20°±2°C, 65±5%R.H.
- Circuit Conditions: V_c = 10.0±0.1V (AC or DC),
V_H = 5.0±0.05V (AC or DC),
R_L = 10.0kΩ±1%

Preheating period before testing: More than 7 days

Sensor Resistance (R_s) is calculated by the following formula:

$$R_s = \left(\frac{V_c}{V_{RL}} - 1 \right) \times R_L$$

Power dissipation across sensor electrodes (P_s) is calculated by the following formula:

$$P_s = \frac{V_c^2 \times R_s}{(R_s + R_L)^2}$$

FIGARO USA, INC.
 3703 West Lake Ave. Suite 203
 Glenview, Illinois 60025
 Phone: (847)-832-1701
 Fax: (847)-832-1705
 email: figarousa@figarosensor.com

For information on warranty, please refer to Standard Terms and Conditions of Sale of Figaro USA Inc.