

UV-Cosine Probe with 0-5V Output and Erythema Photodiode

Part Number: UV_Cosine_UV-Index_AMP0-5V_plug



Our probes from the series **UV-Cosine** are characterized by a special housing with wide angle characteristics (cosine correction). The probes are IP65 jet water resistant, have a soil-resisting surface and are easy to mount.



UV_Cosine_UV-Index_AMP0-5V_plug

Features of UV_Cosine_ABC_AMP0-5V_plug :

- for measurement of erythema causing UV radiation according to ISO 17166 CIE S 007/E (2000) – DIN 5050
- integrated amplifier with 0..5V voltage output
- offset and amplification factor are adjustable
- with M20x1,5 thread for comfortable mounting
- Special housing with wide angle characteristics
- IP65 jet water resistance
- 5 pin sensor connector (connection e.g. Hirschmann ELKA 5012)
- delivery with mounting set (locknuts and sealing ring)
- customized cable available

Probes from the **UV-Cosine** series are available with the following details:

<i>Sensortype</i>	<i>Part Number</i>
with broadband photodiode	UV_Cosine_ABC_Design
with UVC Photodiode according to DVGW W 294-3	UV_Cosine_C_Design
with erythema sensor DIN5050 ISO17166/CIE S 007/E	UV_Cosine_UV-Index_Design

<i>Design</i>	<i>Part Number</i>
with 4-20mA output and 2m cable	UV_Cosine_Sensortype_AMP4-20mA_cable
with 4-20mA output and 5-pin sensor connector	UV_Cosine_Sensortype_AMP4-20mA_plug
with 0-5V output and 2m cable	UV_Cosine_Sensortype_AMP0-5V_cable
with 0-5V output and 5-pin sensor connector	UV_Cosine_Sensortype_AMP0-5V_plug

Please consider the following probe series:

- UV-Air® (compact stainless steel probe)
- UV-Water (10bar water pressure resistant)
- UV-DVGW (probe compliant to DVGW W 294-3(2006))

UV-Cosine Probe with 0-5V Output and Erythema Photodiode

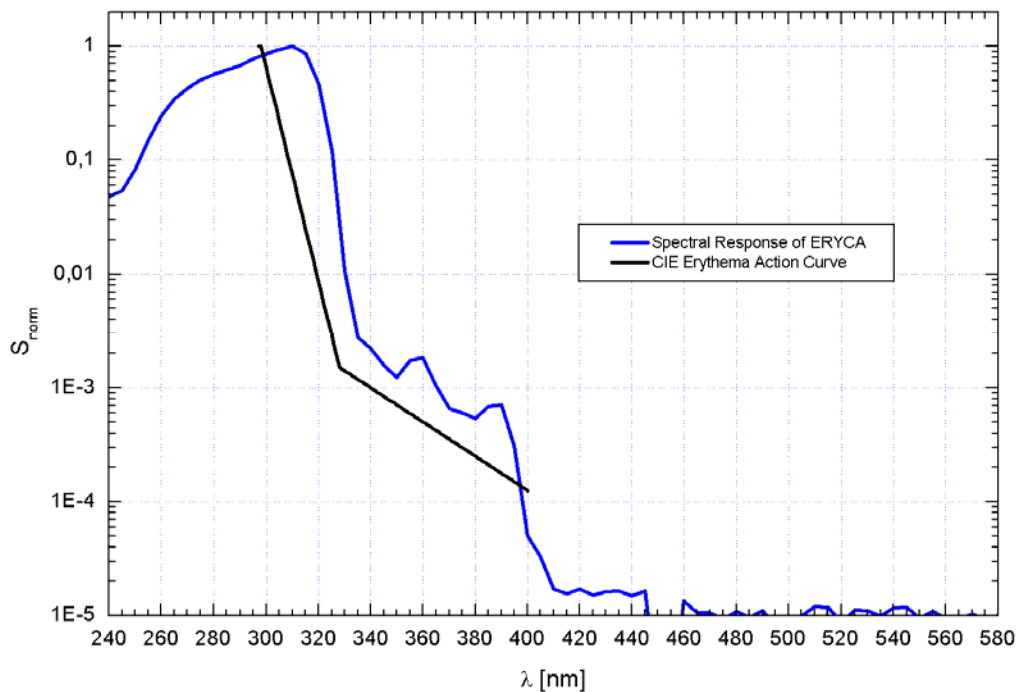
Part Number: UV_Cosine_UV-Index_AMP0-5V_plug



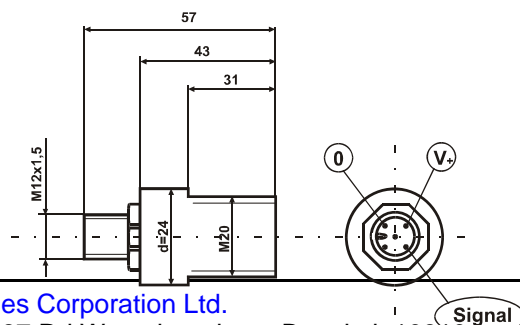
Technical Data (T_a = 25 °C)

Parameter	Symbol	Value	Unit
Power supply	V _B	+7...24	V
Output signal	V _{OUT}	0...5	V
Power consumption	I _{max}	<30	mA
Linearity	L	2	%
Temperature drift	ΔT	0,03	W/m ² /K
Wavelength of max. sensitivity	λ _{Smax}	310	nm
Sensitivity range(S=0.1*S _{max})	-	250 – 325	nm

Spectral Sensitivity (Photodiode ERYCA)



Dimensions



Seite 2 [2]

PRC Technologies Corporation Ltd.

328/65 Ladprao 87 Rd, Wangthonglang, Bangkok 10310

T: 02 530-1714, 530-1619, 530-1621; F: +662 530-1731

www.prctechnologies.co.th