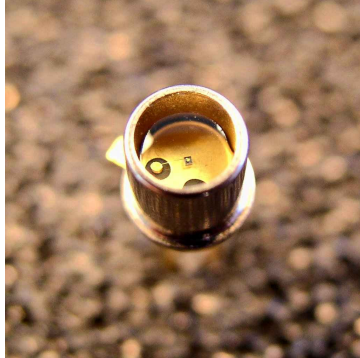


# Ultraviolet selective SiC based UV sensor

## SG01S-S



### **Features**

- Broad Band UVA-UVB-UVC Photodiode
- Optimally suited for UVC high radiation control
- Silicon Carbide based chip for extreme irradiation hardness
- Intrinsic visible blindness due to wide-bandgap semiconductor material
- TO-18 metal package with 0,054 mm<sup>2</sup> active chip area
- flat cap with 3,7mm height
- The chip is manufactured by Cree Research Inc., U.S.A.

# Ultraviolet selective SiC based UV sensor

## SG01S-S



### Maximum Ratings

Parameter	Symbol	Value	Unit
Operating temperature range	$T_{opt}$	-25 ... +70	°C
Reverse voltage	$V_{Rmax}$	20	V

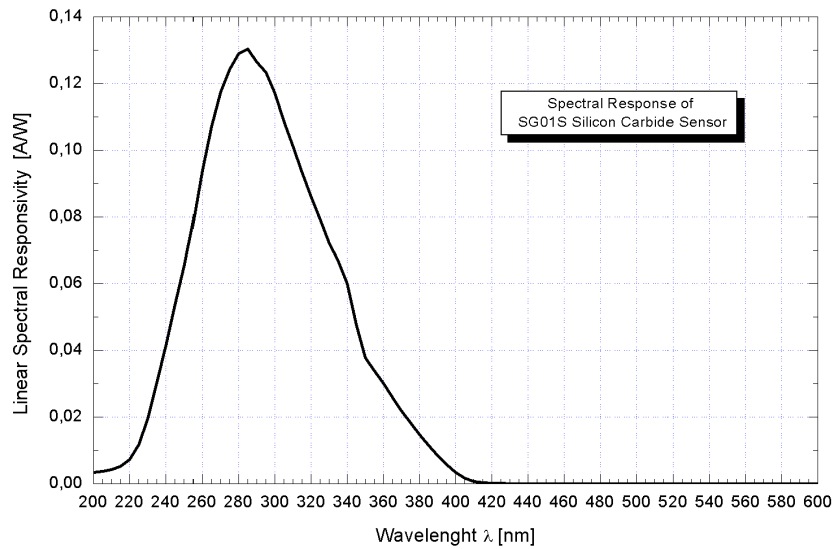
### General Characteristics ( $T_a = 25\text{ °C}$ )

Parameter	Symbol	Value	Unit
Active area	A	0.054	mm <sup>2</sup>
Dark current at 1 V reverse bias	$I_d$	1	fA
Capacitance	C	21	pF
Short circuit current at bright sun	$I_0$	ca. 70	nA

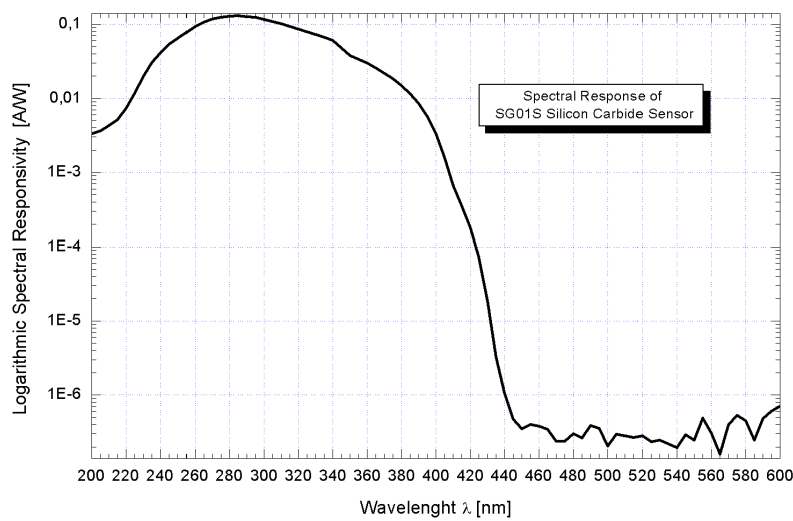
### Spectral Characteristics ( $T_a = 25\text{ °C}$ )

Parameter	Symbol	Value	Unit
Max. spectral sensitivity	$S_{max}$	0,13	A W <sup>-1</sup>
Wavelength of max. spectral sensitivity	$\lambda_{Smax}$	285	nm
Range of spectral sensitivity ( $S=0.1*S_{max}$ )	-	210 - 380	nm

### Linear Spectral Response



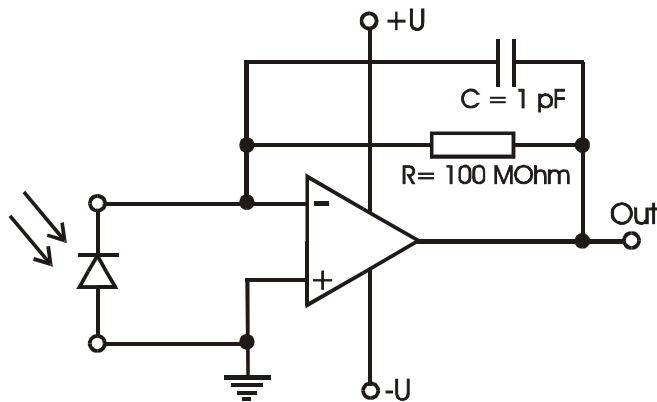
### Logarithmic Spectral Response



# Ultraviolet selective SiC based UV sensor SG01S-S



## Application Example



## Pin Layout

