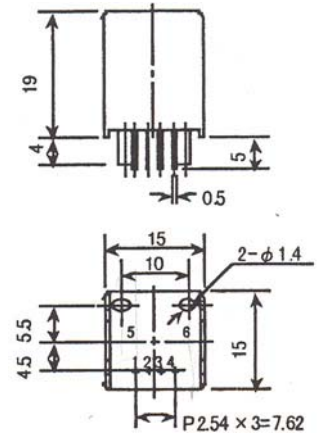
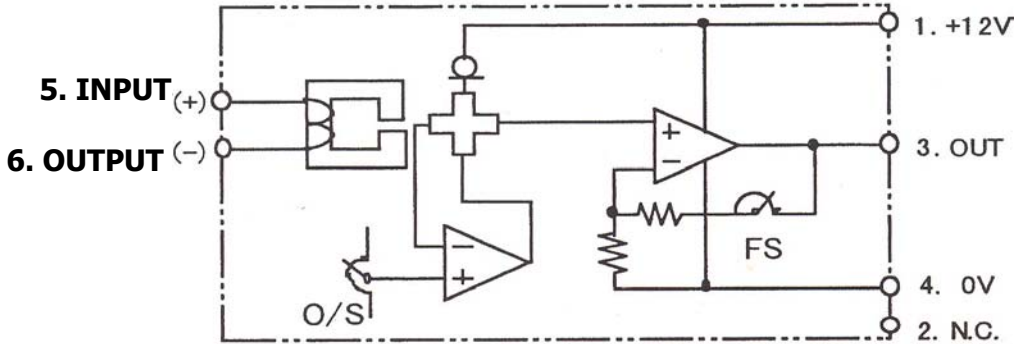


Subminiature DC Current Hall Amp Sensor HPS-25-AS

1. Circuit Diagram/Outward Dimensions:



2. Assembly parts / Standard:

Part	Material	Hard-flammability Standard
Case	PBT resin(20% of glass contained)	UL94 V-0
Bobbin	PBT resin(20% of grass contained)	UL94 V-0
Core	Permalloy	-----
Winding	2UEW-Φ1.8	-----
Hall element	GaAs Hall element	-----

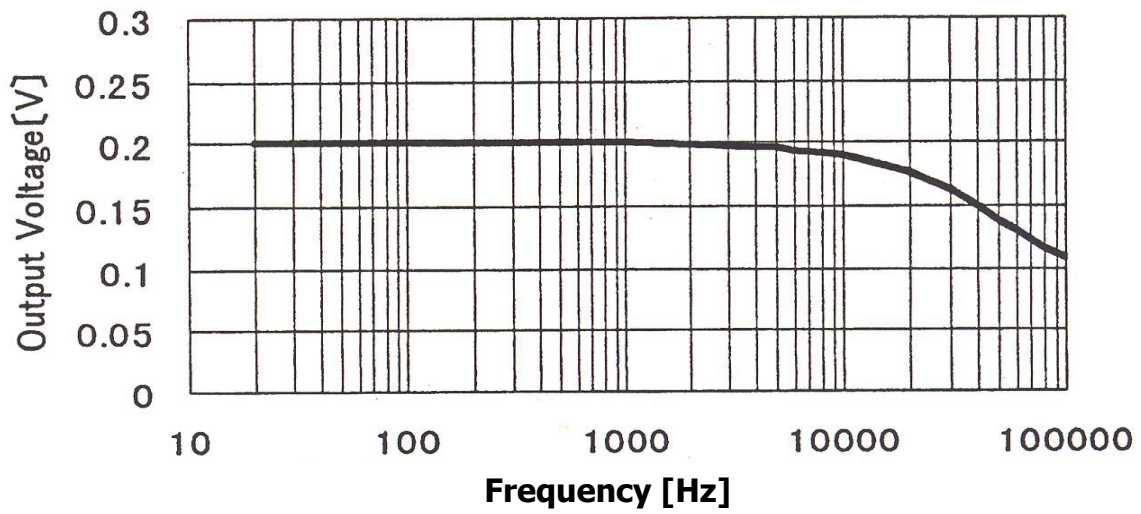
3. Pin Configuration

No.1	+12V
No.2	N.C.
No.3	Output
No.4	GND
No.5	Input(+)
No.6	Input(-)

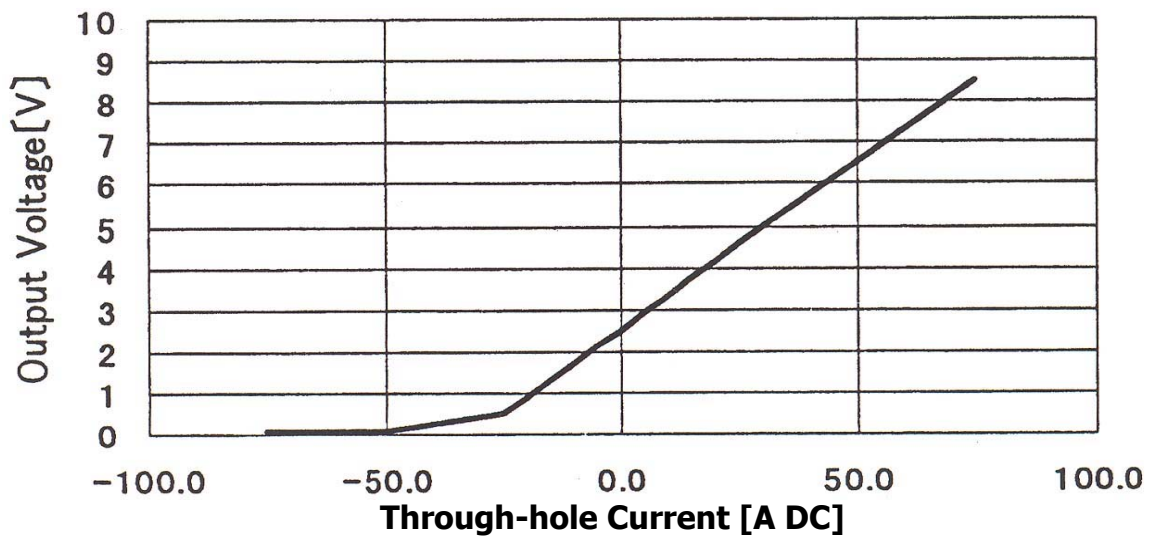
4. Specifications:

Continuous Rated Current	±25A
Non-saturated Max. Current	±25A
Output Voltage	2.5V±2V /Rated Current
Residual Voltage	within 2.5V±20mV (at no load)
Noise Level	20mVp-p or less (at no load)
Output Accuracy/Linearity	within±1% Full Scale
Response time	3μ sec or less (at di/dt=FS/2μsec)
Output Voltage Temp.Coefficient	±0.1%/°C
Control Power Supply	+12V±5% (25mA Typ.) Single P/S
DC Resistance of Primary Winding	0.4mΩ
Max.Allowable Pulse Current	Rated Current x 10 times for 50msec
Dielectric Strength	AC2000V/1 min (Between Primary winding/Control terminals)
Insulation Resistance	≥DC500V/500MΩ (Between Primary winding/Control terminals)
Operating Temp.	-20°C~+75°C, ≤85%RH, No condensation
Storage Temp.	-30°C~+90°C, ≤85%, No condensation
Weight	7g

HPS-25-AS : Frequency Characteristics



HPS-25-AS : Input-Output Characteristics



HPS-25-AS : Output Voltage Responsibility

