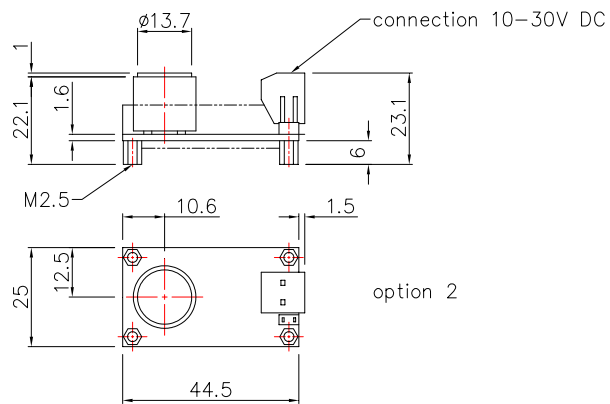
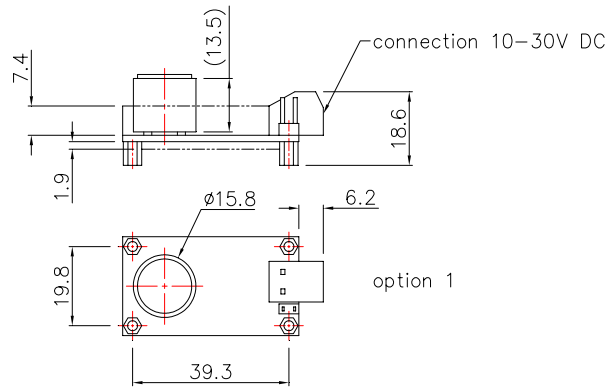


## Dimension of Gas Transmitter ECS series-D



Tolerance:  $\pm 0.2$   
All dimension in mm.

[PRC Technologies Corporation Ltd.](http://www.prctechnologies.com)  
328/65Ladprao 87 Rd, Wangthonglang,  
Bangkok 10310  
[info@prctechnologies.co.th](mailto:info@prctechnologies.co.th)

[www.prctechnologies.co.th](http://www.prctechnologies.co.th)